



EOC

Signal Combiner

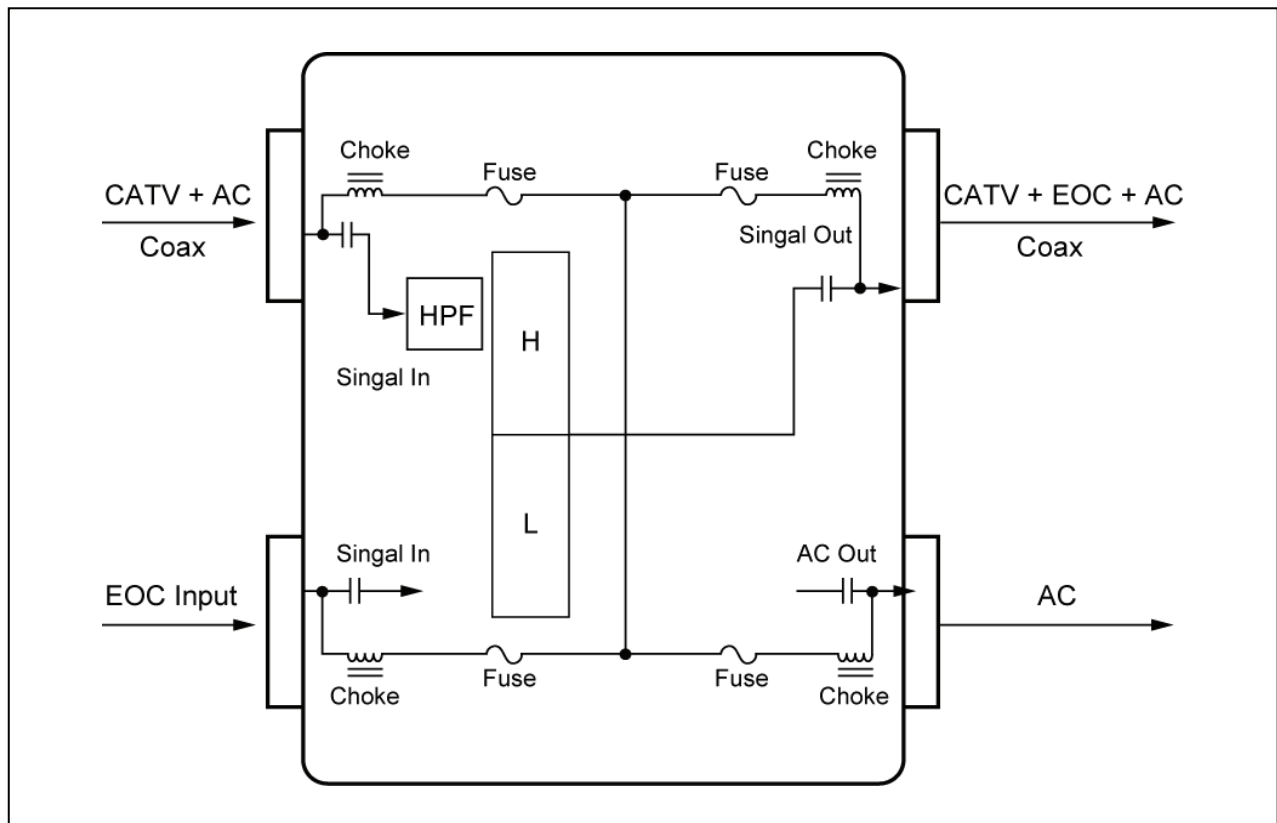
Overview

The low cost, low insertion loss and high isolation EOC signal combiner is suitable for the Ethernet over Coaxial application. The EOC signal combiner can improve the Ethernet signal interference problem when two or more sets of EOC masters are installed.

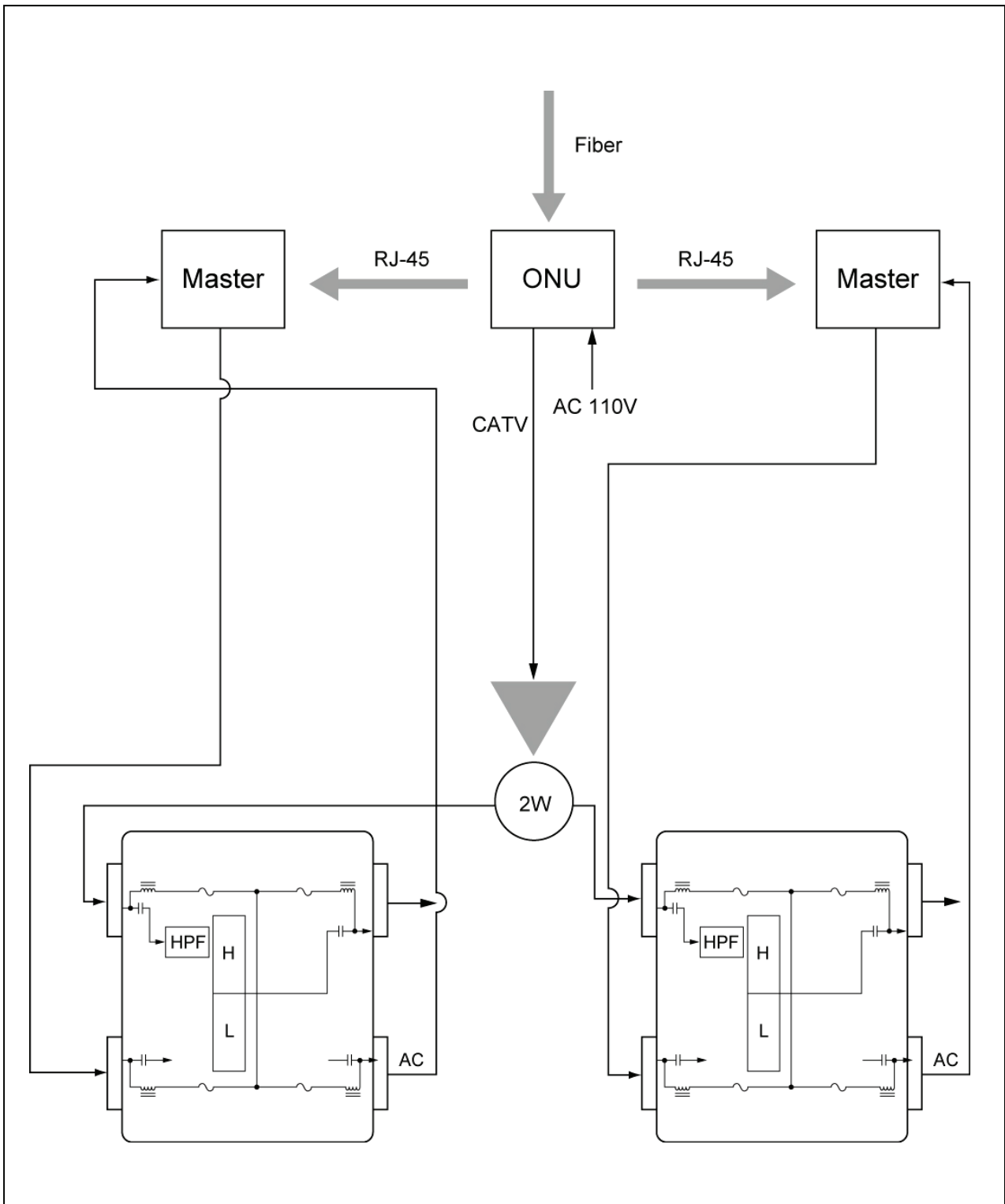
Features

- Wide operation frequency range
- Low insertion loss
- High port to port isolation

Block Diagram



Application



Specifications

ACI Communications, Inc.			EOC				
PARAMETERS	CONDITIONS	UNITS	SPECIFICATION				NOTES
Insertion Loss			5-40	55-250	250-750	750-1000	
Hi in Port to Output Port	Max.	dB	-	-2.5	-2.5	-4.0	
Lo in Port to Output Port	Max.	dB	-1.2	-	-	-	
Isolation			5-40				
Hi in Port to In Port	Max.	dB	-50.0				
Lo in Port to In Port	Max.	dB	-50.5				
Return Loss			5-40	55-550	550-1000		
Hi in Port	Max.	dB	-	-20.0	-16.0		
Lo in Port	Max.	dB	-16.0	-	-		
Output Port	Max.	dB	-20.0	-20.0	-16.0		

Ordering Matrix

ACI EOC Configuration Sheet

Customer: _____

Created By: _____ Order Date: _____

ORDERING MATRIX

2009/11/30

Position	1	2	3	4	5	6	7	8	9	10	11
PART NUMBER	S	C	—							—	

1~2 **SINGAL COMBINER**
SC: Singal combiner

4~8 **FREQUENCY SPLIT**
42/53: 42/53

10~11 **BANDWIDTH**
1G: 1GHz

NOTES:

ACI Communications, Inc. reserves the right to discontinue the manufacture or change the specifications without prior notice on any parts illustrated in the data sheet.

Address: 23307-66th Avenue South, Kent, WA-98032 USA

Phone: (253)854-9802 Fax: (253)813-1001

www.acicomms.com

Rev. A 12-1-09 **ACI Communications, Inc.**