



OLM200

Outdoor Cable Modem

ACI Communications, Inc. 



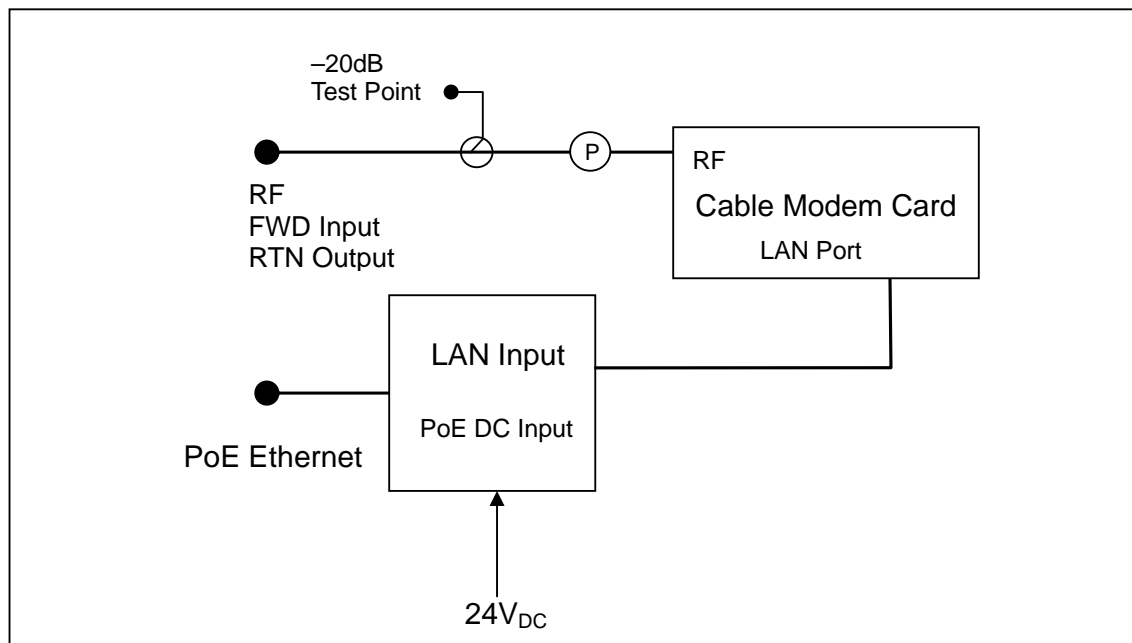
Overview

The OLM200 is an outdoor cable modem. It is an advanced cable network status monitoring system based on DOCSIS (and SNMP) standard technologies.

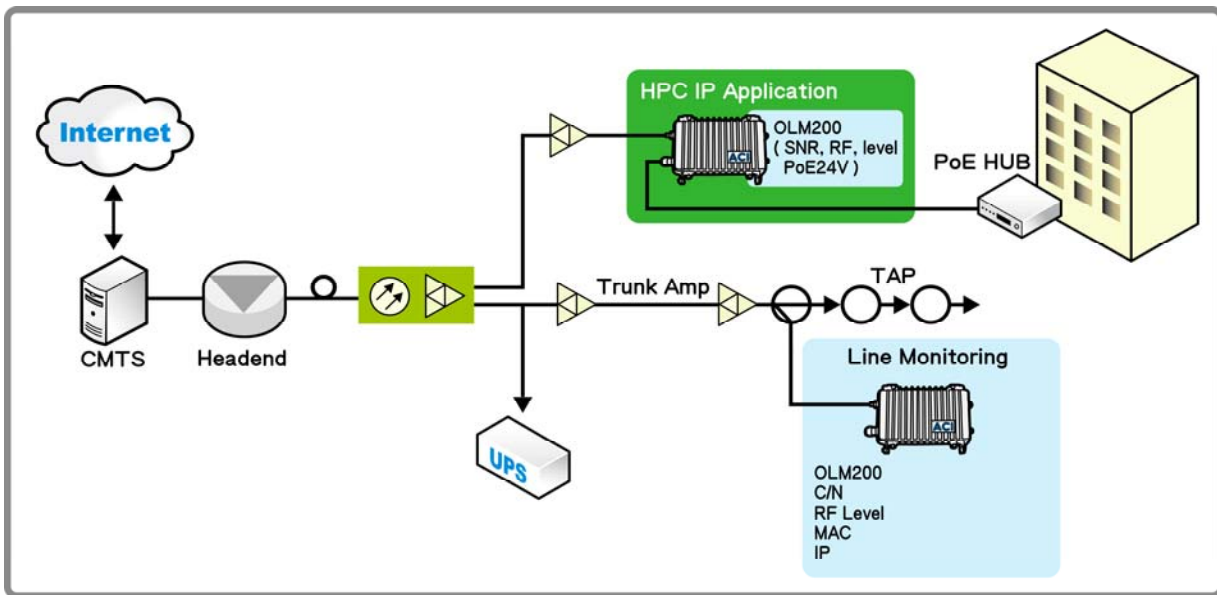
Features

- To be placed at various points throughout the cable plant as an aid to improving overall network reliability
- DOCSIS 1.1 and 2.0 compliant
- Full polling out function up to 32 users (unicast addresses)
- Protocol: UDP, IP, ARP, ICMP, DHCP, TFTP, SNMP, HTTP

Block Diagram



Application



Specifications

ACI Communications, Inc.		OLM200		
PARAMETERS	CONDITIONS	UNITS	SPECIFICATION	NOTES
RF Signal				
Test Point		dB	-20	
Input Insertion Loss	Max.	dB	1.5 @ 0 PAD	
Output Return Loss	5-42 and 91-857 MHz	dB	> 6	
Upstream-Transmitter				
Modulation			TDMA: QPSK, 8, 16, 32, 64(QAM) S-CDMA: QPSK, 8, 16, 32, 64, 128(QAM)	
Frequency Range		MHz	5 to 42 (edge to edge)	
Bandwidth		KHz	TDMA: 200, 400, 800, 1600, 3200, 6400 S-CDMA: 1600, 3200, 6400	
Max. Speed		Kbps	QPSK: 320, 640, 1280, 2560, 5120 16QAM: 640, 1280, 2560, 10240	
Signal Level			TDMA: 32QAM, 64QAM, +8 to +54 dBmV 8QAM, 16QAM, +8 to +55 dBmV QPSK, 16QAM, +8 to +58 dBmV S-CDMA: all modulation, +8 to +53 dBmV	
Downstream-Receiver				
Modulation Type			64/ 256 QAM	
Frequency Range			91 to 857 MHz ± 30 KHz (center)	
Bandwidth		MHz	6	

Specifications

ACI Communications, Inc.		OLM200		
PARAMETERS	CONDITIONS	UNITS	SPECIFICATION	NOTES
Downstream-Receiver				
Max. Speed			38 Mbps(640 QAM) / 43 Mbps(256 QAM)	
Signal Level		dBmV	-15 to +15	
Max. Number of CPEs			32 MAC addresses with full polling out	
Frequency search				
Frequency cache			4 Entries frequency	
Channel Plan			250 KHz step	
Number of SID			16	
OSS				
Protocol			ICMP/SNMP V1, V2c, V3	
MIB		dB	MIB II, MCNS MIB, Hitron Proprietary MIB	
Power Supply				
Input Power		VAC	40 to 90	
Output Power	option		DC 24V /6W for PoE @ 100M	
PoE Current	Max.		0.5A (24V)	
Environment				
Operating Temperature		°C	-20 to +50	
Dimension		mm	171.5 x 234.7 x 115.5	

Ordering Matrix

OLM200 Configuration Sheet

Customer: _____

Created By: _____ Order Date: _____

ORDERING MATRIX	2010/1/22
------------------------	------------------

Position	1	2	3	4	5	6	7	8
PART NUMBER	O	L	M	2	0	0	-	8

8 **DOCSIS VERSION**
 BLANK: DOCSIS
 E: Euro-DOCSIS

NOTES:
