

**ACI** Communications, Inc. 

## **A3951**

Outdoor EDFA 1550nm  
Optical Amplifier



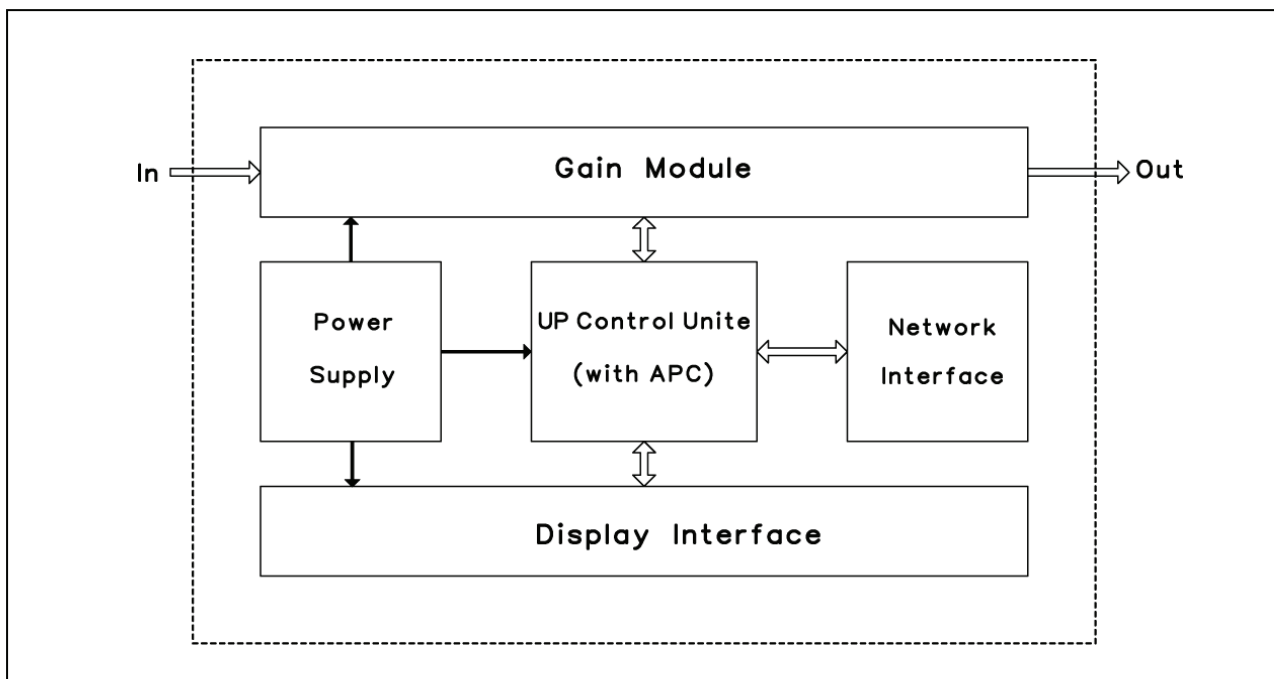
## Overview

ACI A3951 Outdoor EDFA is the 1550nm Optical Amplifier, designed for “Fiber Deep” architectures for outdoor environment. It is a high-power EDFA that extends the reach and performance of networks without the need for a hub or remote terminal placement.

## Features

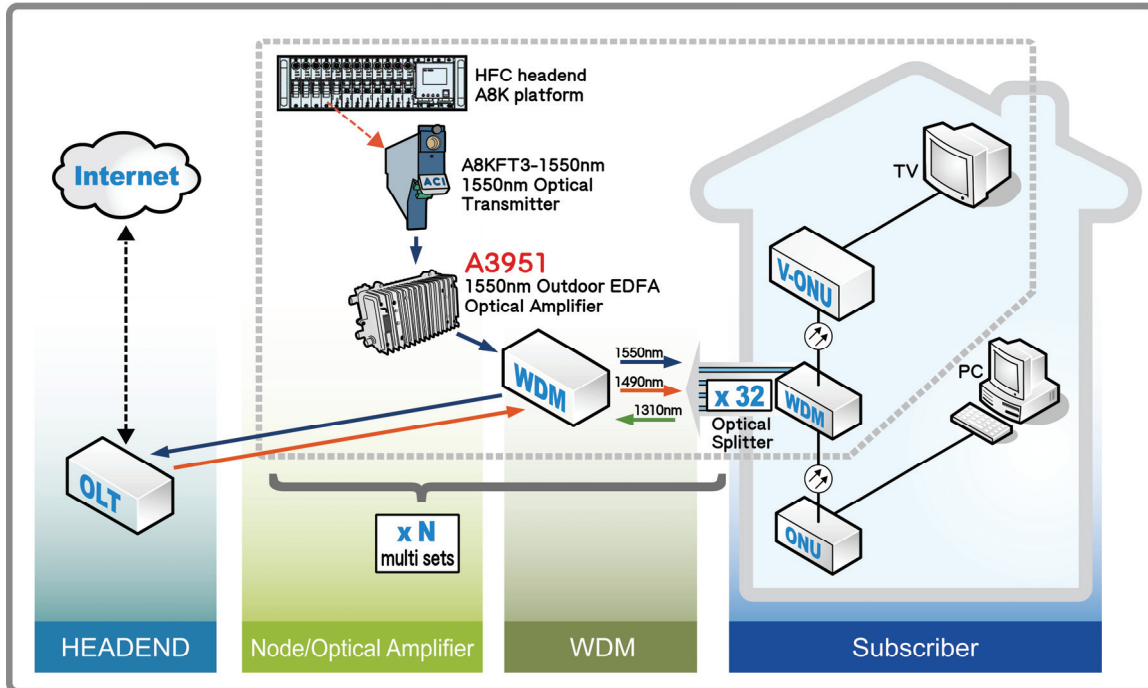
- Optical Power level: 13 ~ 23 dBm
- LCD status display shows the main operation parameter
- Operating temperature: -20°C to +60°C (standard), -40°C to +60°C (optional)
- SNMP network management (optional)

## Block Diagram



## Application

In FTTx Network, 1550 nm wavelength is usually used for RF signal transport. RF signal is launched from an optical transmitter, through optical amplifier and linked to V-ONU at the subscriber's premise.



## Specifications

ACI Communications, Inc.		A3951		
PARAMETERS	CONDITIONS	UNIT	SPECIFICATION	NOTES
<b>Optical Specification</b>				
Operating Wavelength range		nm	1535 to 1562	
Output Power		dBm	16, (13 ~ 23, make to order)	
Output power variation		dB	-0 /+1 (for the specified Operational wavelength and input power range)	
Optical Interface	Standard		SC/APC	
Return Loss		dB	≥ 45	
Operating Input Power		dBm	-3 ~ +10	
Noise Figure	@ 0 dBm input power, 1550 nm	dB	≤ 5.0	
<b>Electrical/Physical/Environmental</b>				
Operating Temperature Range		°C	-20 to +60 (standard) -40 to +60 (optional)	
Storage Temperature		°C	-40 ~ +85	
Relative Humidity		%	≤ 95	
Cable power voltage		VAC	40 ~ 90	
Line Power voltage	Optional	VAC	100 ~ 240	
Power Consumption	Max.	W	30	

## Specifications

ACI Communications, Inc.		A3951		
PARAMETERS	CONDITIONS	UNIT	SPECIFICATION	NOTES
<b>Mechanical</b>				
<b>Interface</b>	Standard		LCD display	
	Optional		Network Management	
<b>Dimension</b>	D x W x H	mm	190 x 330 x 180	
<b>Weight</b>		kg	7.0	

## Ordering Matrix

### A3951 Configuration Sheet

Customer: \_\_\_\_\_

Created By: \_\_\_\_\_

Order Date: \_\_\_\_\_

#### ORDERING MATRIX

2010/9/16

Position		1	2	3	4	5	6	7	8	9	10
<b>PART NUMBER</b>	<b>A3951</b>	—			—						

2~3

**Output Power**

13 = 13 dBm  
 14 = 14 dBm  
 15 = 15 dBm  
 |  
 23 = 23 dBm

8

**Power Supply**

Cable Power (60~90VAC)  
 1 = Cable power

Line Power (100~240VAC)

2 = North America  
 3 = International / Europe  
 4 = Japan  
 5 = Australia  
 6 = Argentina  
 X = Custom - (Determined by product management)

5

**Output Connector**

1 = SC/APC  
 2 = SC/UPC  
 3 = FC/APC  
 4 = FC/UPC

6

**Network Management**

0 = None  
 1 = SNMP

9

**Material Restrictions**

0 = None  
 1 = RoHS compliant

7

**HOUSING TYPE**

0 = Standard  
 1 = Chromate

10

**Operating Temperature**

0 = -20 °C ~ +60 °C (standard)  
 1 = -40 °C ~ +60 °C

#### NOTES:

ACI Communications, Inc. reserves the right to discontinue the manufacture or change the specifications without prior notice on any parts illustrated in the data sheet.

Address: 23307-66<sup>th</sup> Avenue South, Kent, WA-98032 USA

Phone: (253)854-9802 Fax: (253)813-1001

www.acicomms.com

Rev.J 9-16-10

**ACI Communications, Inc.**