

ACION 8000 Series A8KMF3 – 3RU Main Frame



The A8KMF3 - 3RU Main Frame is a 3 rack-unit chassis that provides up to 16 slots that can accommodate the ACION 8000 headend series plug-in, application and power supply modules.

Features (A8KMF3)

- Designed for maximum density and flexibility: Up to 16 plug-in application modules in the 3RU housing
- Convenient Plug-and-Play
- Simple insertion and removal of modules without the use of special tools
- Six cooling fan modules
- Cooling fan modules can be changed without turning off chassis power
- Optical connectors are located in the front; RF connectors are located in the rear
- Designed so that the application and power supply modules are hot-swappable

Features (A8KSUB)

- Convenient Plug-and-Play
- Plug-in location for two (2) A8KAPS Power supplies and one (1) A8KPCM Control module
- With 10/100 Ethernet LAN port
- With AC power cord strain relief clip
- IEC 320 in-let plug for power cord

Specifications

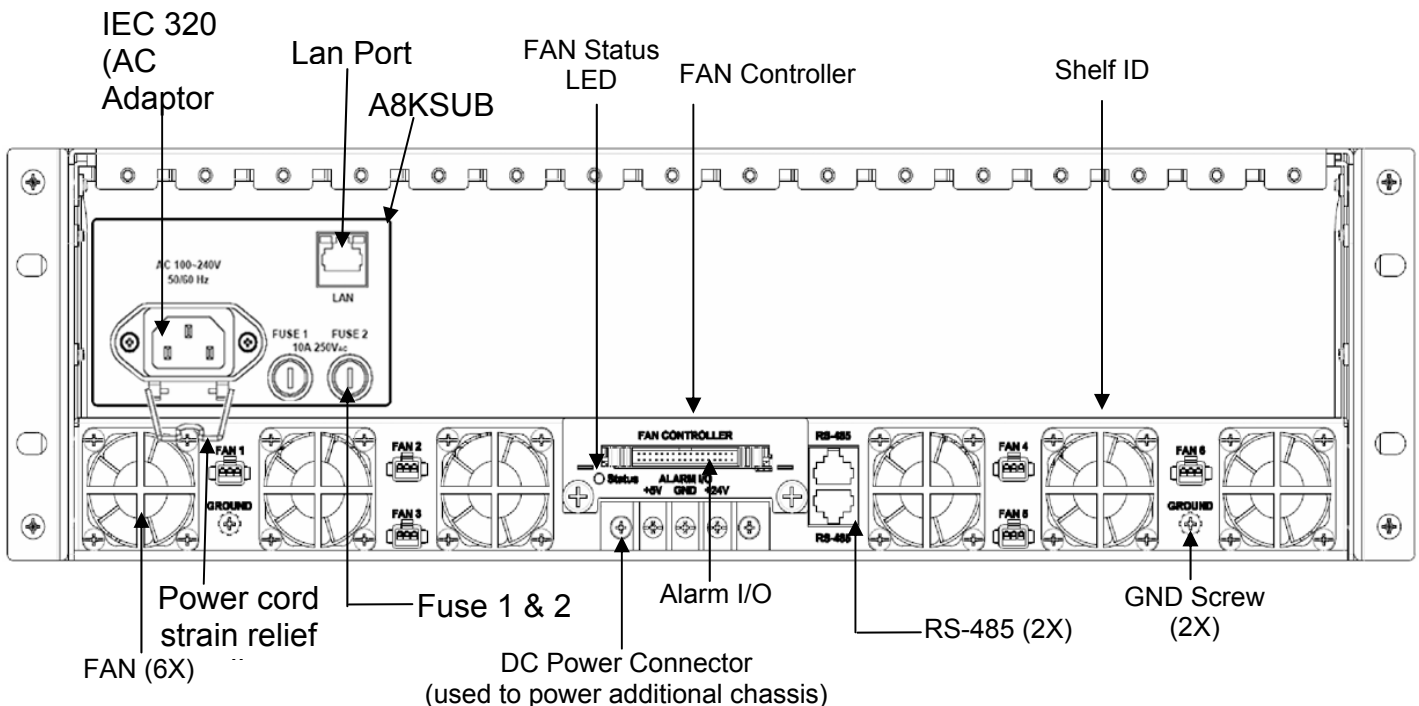
ACI Communications, Inc.			ACION 8000 Series A8KMF3 - 3RU Main Frame	
STATION PARAMETERS	LOCATION	UNITS	DESCRIPTIONS & SPECIFICATIONS	NOTES
Number of slots		slot	16	
Hot-swappable cooling fans	Rear	6	Six fans to prevent overheating	
Dimensions (A8KMF3)	H×W×D	in (mm)	5.2 x 19.1 x 19.1 (133 x 485 x 485)	
Dimensions (A8KSUB)	H×W×D	in (mm)	3.4 x 4.1 x 2.2 (87 x 105 x 56)	
Operating temperature		°F (°C)	32 to 122 (0 to 50)	
Relative humidity	Non-condensing	%	0 to 95	
Interface				
RS-485	Rear	2	Interconnect multiple chassis with data transfer	
DC power connector	Rear	1	Interconnect multiple chassis with 5 VDC and 24 VDC	
External alarm I/O connectors	Fan controller	1	Provides connections for external alarms	
LAN	A8KSUB	1	RJ-45, 10/100 Mbps	
Fuse	A8KSUB	2	10 A, 250 VAC	
AC Adaptor	A8KSUB	1	100-240V, 50/60 Hz	

Confidential

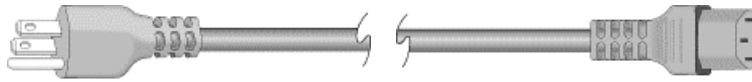
information contained in this document is subject to change without notice.

Revision date: 05/21/07

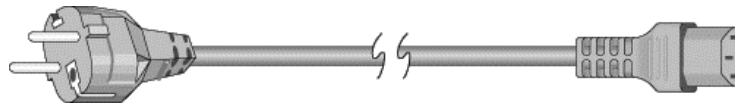
Rear view



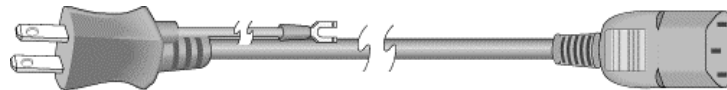
Power cord Sets



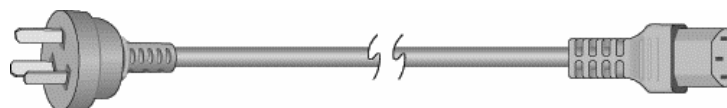
North America 10 Amp cord set w/C13 Connector
5.9 ft (1.8 m) long



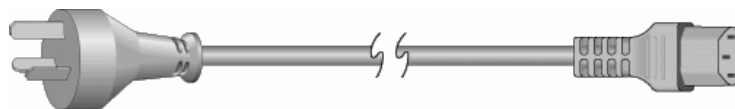
International / Europe 10 Amp cord set w/C13 Connector
5.9 ft (1.8 m) long



Japan 12 Amp cord set w/C13 Connector
5.9 ft (1.8 m) long



Australia 10 Amp cord set w/C13 Connector
5.9 ft (1.8m) long



Argentina 10 Amp cord set w/C13 Connector
5.9 ft (1.8m) long

A8KMF3 Configuration Sheet

Customer: _____

Created By: _____ Order Date: _____

ORDERING MATRIX

April 10, 2008

Position	-	1	2	3	4
A8KMF3	-			-	

1, 2

0	0
M	D

SUB-ASSEMBLY FOR PWS & PCM INTERFACE
 = Chassis without A8KSUB module
 = Chassis with A8KSUB module

4

0
1
2
3
4
5
X

POWER CORD SETS OR CUSTOM
 = None (Use for chassis without sub module)
 = North America
 = International / Europe
 = Japan
 = Australia
 = Argentina
 = Custom - (to be determined by Product Management)

Optional Accessories (Sold Separately)	
Standard and Optional Spare Equipment and Cables	Part Number
Front Blocking Plate	4118900000004(G)*
Back Blocking Plate	4118900000005(G)*
FAN module	1066000000004
RS-232 cable (A8KPCM to PC)	1076080002015
RS-485 cable assembly I/O Interface to other A8KMF3 (1.5 m long)	1076080002016
Power cable for DC powering to other A8KMF3	1076080002020

*G: for ROHS

