



ACION 8000 Series A8KPCM – Platform Control Module

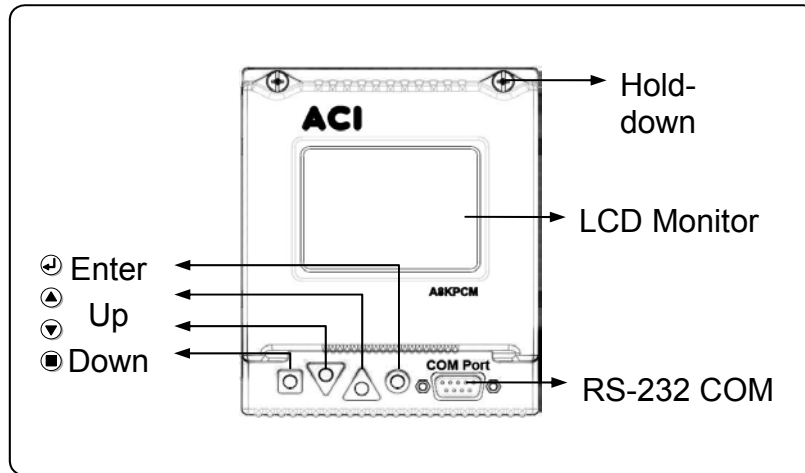


A8KPCM –The Platform Control Module is used for local monitoring and configuration setting on the LCD panel for the ACION 8000 plug-in Application modules. This module can also be used for remote monitoring by HMS or SNMP.

Features

- With LCD panel and direct local control
- Hot-swappable
- With local monitor port (RJ-45 to RS-232)
- Remote management from Internet
- Remote monitor by HMS or SNMP
- Up to 192 modules can be monitored and controlled with one (1) Control module

A8KPCM Front View



Specifications

ACI Communications, Inc.			ACION 8000 Series A8KPCM - Platform Control Module	
PARAMETERS	CONDITIONS	UNITS	SPECIFICATIONS	NOTES
Specifications				
COM Port	RS-232	bps	9600	
Environment				
A8KPCM dimensions	D x H x W	in. (mm)	16.0 x 5.1 x 4.2 (406 x 128 x 106)	
Operating temperature		°F (°C)	32 to 122 (0 to 50)	
Relative humidity	Non-condensing	%	0 - 95	

Confidential

information contained in this document is subject to change without notice.

Revision date: 05/21/2007

Ordering Matrix

A8KPCM Configuration Sheet

Customer: _____
 Created By: _____ Order Date: _____

ORDERING MATRIX December 12, 2008

1	2	3	4	5	6
A	8	K	P	C	M

Optional

1. COM Port Cable _____ pcs

