

*ACION3900
Outdoor 1310nm Optical Transmitter*

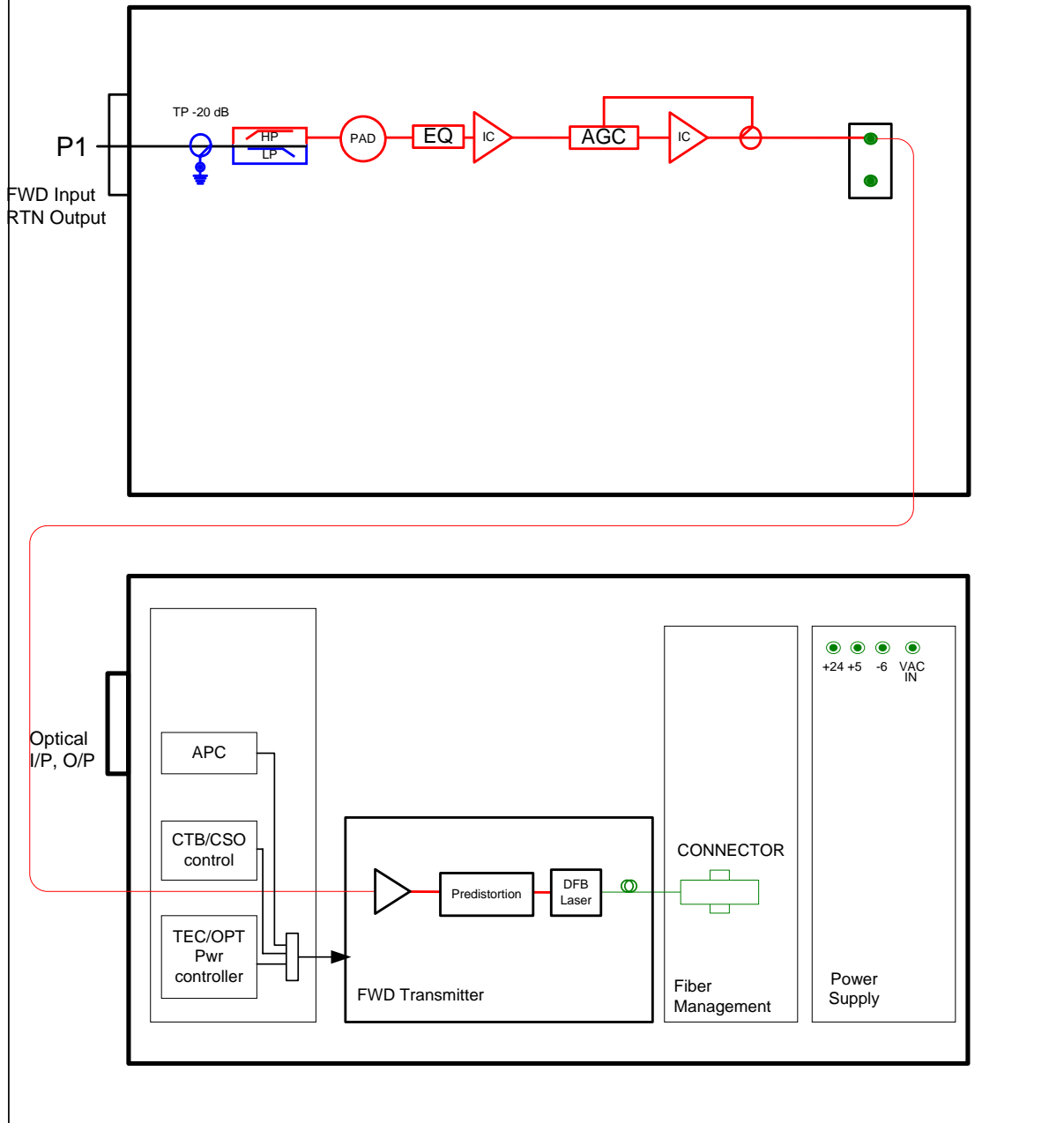


The ACION3900 is an Outdoor Optical Transmitter that is designed for easy installation into the HFC cable plant to allow for Optical network extension. This Transmitter enables cost effective optical transmission in the original HFC network and is ideal for any cable system that need to build the Green Field Service.

Features

- Up to 870MHz Transmission Bandwidth
- 74-channel NTSC
- Cooled DFB LD with isolator Laser type
- 1310 nm Optical Wavelength
- Plug-in attenuator offer RF gain control
- AC Input Range From 40V ~ 90V
- Operating Temperature from -20 ~ +50°C

ACION3900 1310nm Optical Transmitter Functional Block Diagram



Specification

PARAMETERS			CONDITIONS	UNITS	SPECIFICATION	NOTES
ACI Communications, Inc.					ACION3900	
					Outdoor 1310nm Optical Transmitter	
Optical Specification						
Laser Type					Cooled DFB LD with isolator	
Optical Wavelength			nm		1310 ± 20	
Laser RIN Noise Density			dB/Hz		≤ -155	
Optical Power			dBm		4, 10, 13	Made to order
RF Parameters						
Operating Bandwidth			MHz		70 to 870	
Channel Loading		NTSC			74 analog channels + 200 MHz digital	
RF Input Return Loss			dB		≤ -17	
RF Input Level (Analog)		AGC	dBmV/ch		12 to 18	
		MGC	dBmV/ch		15 (Nominal value) (when 74 NTSC channel loading)	
Flatness		70 to 870 MHz	dB		± 1	
LINK Performance (OMI = 3.2%, Optical Input = 0dBm, @25°C)						
CSO		Max	dBc		-61	
CTB		Max	dBc		-65	
XM		Max	dB		-65	
CNR		Min	dB		51	
Electrical/Environmental/Mechanical						
Dimension		H x W x D	In.		6.75 x 14.25 x 9	
Operating Temperature			°C		-20 to +50	
Operating Humidity		Max	%		85	
Supply Voltage			VAC		40 to 90	

Confidential

information contained in this document is subject to change without notice.

Revision date: 05/08/07

